

WATERPROOF GT 42-16 PTS

Waterproof polypropylene tool case



General features

- waterproof and airtight (IP 67)
- interstackable
- corrosionproof, sandproof and dustproof
- shockproof and crushproof
- temperature rating -33°C/+90°C
- ergonomic handle, rubber coated grip
- jam free latches with user-friendly opening mechanism
- corrosion proof metal hinges with lid stay features
- pressure release valve
- special PU injected seal
- stainless steel reinforced pad lockable points providing maximum security

Internal Configuration

- Document area
- 2 tool pallets with pouches
- bottom tray with high stability divider modules
- equipped with gas-pressurised lid supports

Versions

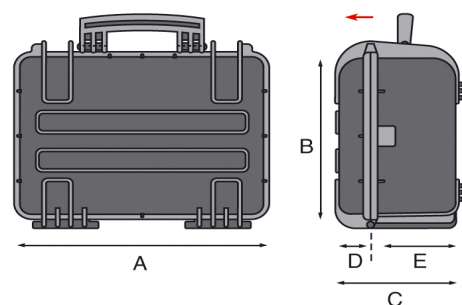
- WATERPROOF GT 42-09 PEL
- WATERPROOF GT 42-09 PTS
- WATERPROOF GT 42-16 PEL
- WATERPROOF GT 42-16 PTS
- WATERPROOF GT 44-19 PEL
- WATERPROOF GT 44-19 PSS
- WATERPROOF GT 44-19 PTS
- WATERPROOF GT 52-21 PEL
- WATERPROOF GT 52-21 PSS
- WATERPROOF GT 52-21 PTS
- WATERPROOF GT 53-26 PEL
- WATERPROOF GT 53-26 PTS
- WATERPROOF GT 58-23

EAN

8024482185323



Technical features	A	B	C	D	E
mm internal dimensions	420	300	160	35	125
	Weight Kg 3,50				
inc internal dimensions	16 9/16	11 13/16	6 5/16	1 3/8	4 15/16
	Weight lbs 7.71				



WATERPROOF GT 42-16 PTS

Waterproof polypropylene tool case



Watertight and perfectly sealed thanks to the exclusive neoprene “O” ring and to the purge valve, these cases grant an absolute protection to your tools. Made of resistant lightweight resin, they are provided with strong locks and a useful and ergonomic handle. They are ideal for use in the harshest environment, such as industrial, aeronautical, military and nautical fields.

Accessories

WATERPROOF GT 42-16 PTS



EXPL COMBILOCK



EXPL PADLOCK



LOCK BELT



WL01



WL02



WL03



WL04



WL05



EXPL TSA.DIGILOCK



UNIVERS.TROLLEY